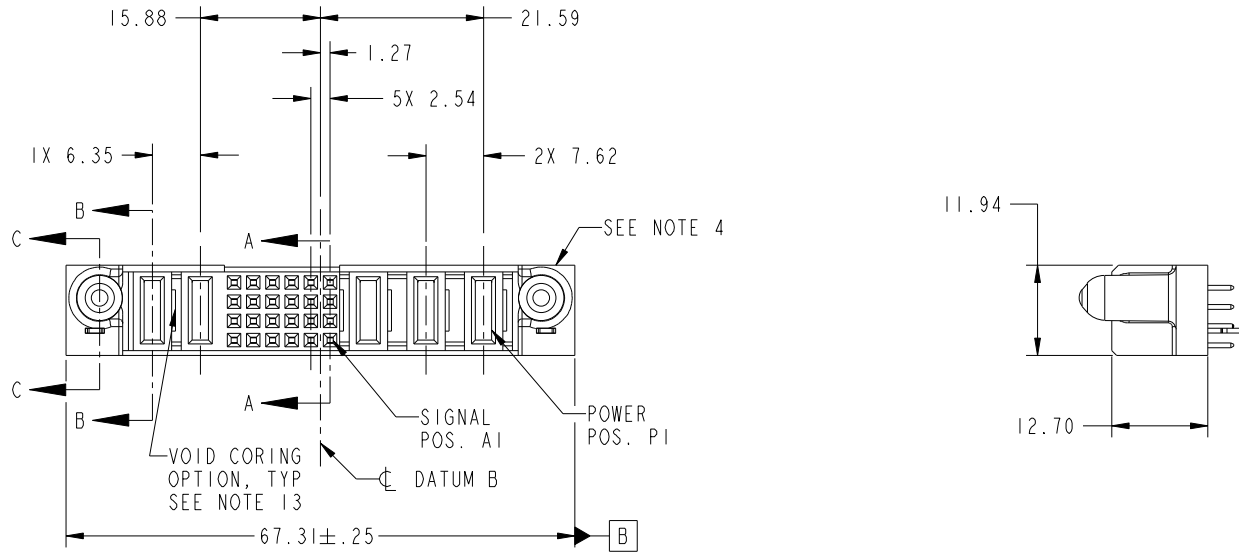


Tous droits strictement reserves. Reproduction ou communication a des tiers interdite sous quelque forme que ce soit sans autorisation ecrite du proprietaire. Propriete de c.FCI. Droits de reproduction FCI.

All rights strictly reserved. Reproduction or issue to third parties in any form whatever is not permitted without written authority from the proprietor. Property of FCI. Copyright FCI.



PRODUCT NO.	ROWS	POWER			SIGNAL					POWER			E1	
		E2	P5	P4	6	5	4	3	2	1	P3	P2		P1
51940-053-- NOTE:3	D C B A													



CODE	DIM "M" MATING LENGTH	CONTACT TYPE
E	[N/A]	SIGNAL
PA	[1.07]	POWER
PD	[2.34]	POWER
HA	[N/A]	HOLD-DOWN

mat'l code				SEE NOTE		tolerances unless otherwise specified		CUSTOMER		 www.fciconnect.com	
lir	ecn no.	dr	date	linear	0.X ± 0.5	COPY		projection		title	
A	V03-0856	TAB	08/06/03	0.XXX ± 0.25	08/06/03				3ACP + 24S + 2P		
B	DG05-0490	CS	11/21/05	angles	0.XXX ± 0.10	08/06/03				VERTICAL SOLDER RECEPT	
C	DG07-0498	JW	09/15/08		0° ± 2°	08/06/03		MM		product family	
				dr	T. BRUNGARD	08/06/03		1:1		PwrBlade	
				engr	M. MOSTOLLER	08/06/03		scale		code	
				chr	M. MOSTOLLER	08/06/03		A		213	
				appd	M. MOSTOLLER	08/06/03		size		sheet	
				sheet index	C	C	C	51940-053		1 of 4	
				revision sheet	1	2	3	A		B	

A

A

B

B

1 | 2

3 |

4

Pro/E

PDM: Rev: C

STATUS: Released

Printed: Sep 26, 2008

cage code 28556

4

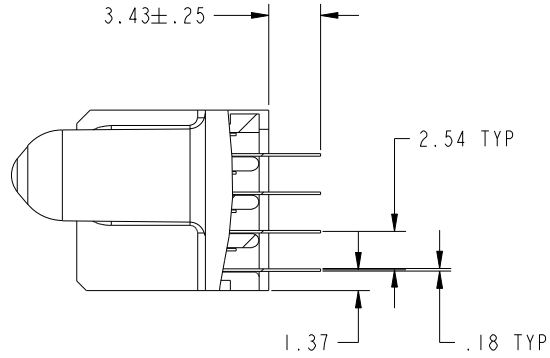
Tous droits strictement reserves. Reproduction ou communication a des tiers interdite sous quelque forme que ce soit sans autorisation ecrite du proprietaire. Propriete de c FCI. Droits de reproduction FCI.

All rights strictly reserved. Reproduction or issue to third parties in any form whatever is not permitted without written authority from the proprietor. Property of FCI. Copyright FCI.

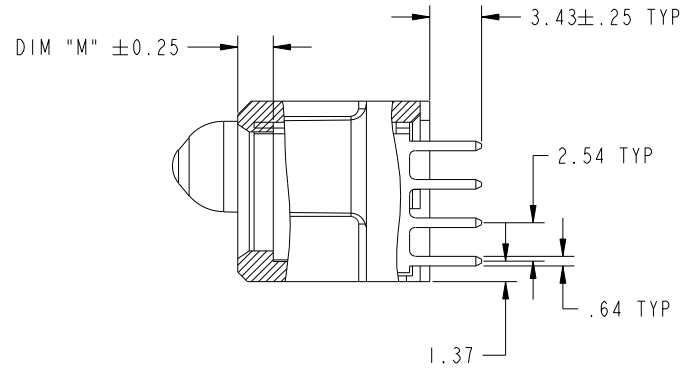


PRODUCT NUMBER

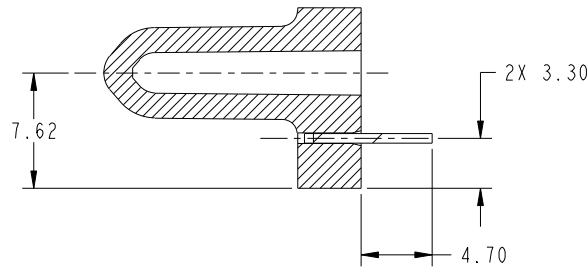
51940-053--  
NOTE: 3



SECTION A-A  
SCALE 2:1



SECTION B-B  
SCALE 2:1



SECTION C-C  
SCALE 2:1

mat'l code		SEE NOTE		tolerances unless otherwise specified		CUSTOMER		 www.fciconnect.com	
lir	ecn no.	dr	date	linear	0.X ± 0.5	COPY		title	
C					0.XX ± 0.25	projection		3ACP + 24S + 2P	
				angles	0.XXX ± 0.10			VERTICAL SOLDER RECEPT	
				dr	0° ± 2°			product family	
				engr	T. BRUNGARD 08/06/03	MM		PwrBlade	
				chr	M. MOSTOLLER 08/06/03			code	
				appd	M. MOSTOLLER 08/06/03	1:1		213	
sheet index		revision sheet				size		dwg no	
						A		51940-053	
								sheet	
								2	

cage code 22506

Pro/E

PDM: Rev: C

STATUS: Released

Printed: Sep 26, 2008

Tous droits strictement reserves. Reproduction ou communication a des tiers interdite sous quelque forme que ce soit sans autorisation ecrite du proprietaire. Propriete de c.FCI. Droits de reproduction FCI.



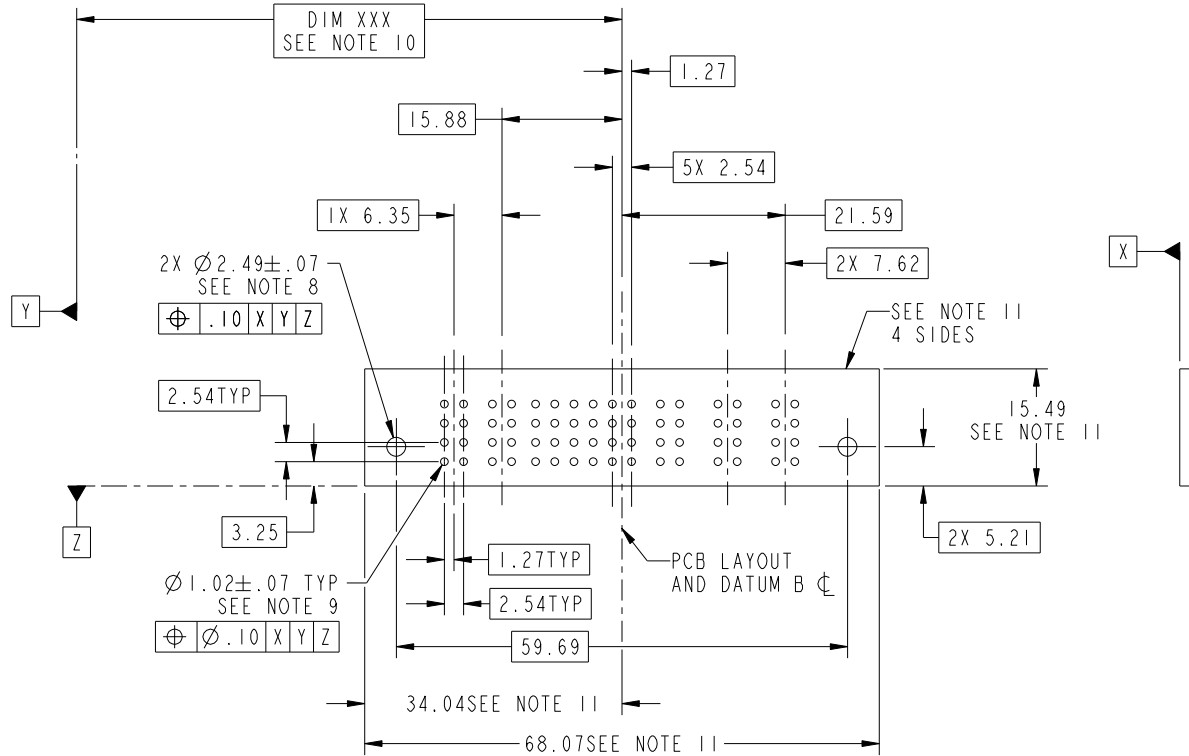
All rights strictly reserved. Reproduction or issue to third parties in any form whatever is not permitted without written authority from the proprietor. Property of FCI. Copyright FCI.

PRODUCT NUMBER  
51940-053--  
NOTE: 3

1 | 2

3 |

4



mat'l code		SEE NOTE		tolerances unless otherwise specified		CUSTOMER		 www.fciconnect.com	
lir	ecn no.	dr	date	linear	0.X ± 0.5	COPY		title	
C					0.XX ± 0.25	projection		3ACP + 24S + 2P	
				angles	0.XXX ± 0.10			VERTICAL SOLDER RECEPT	
					0° ± 2°			product family	
				dr	T. BRUNGARD 08/06/03	MM		PwrBlade	
				enrg	M. MOSTOLLER 08/06/03			code	
				chr	M. MOSTOLLER 08/06/03	scale		213	
				appd	M. MOSTOLLER 08/06/03	1:1		sheet	
sheet index		revision sheet						3	
								51940-053	

A

A

B

B

1 | 2

Pro/E

PDM: Rev: C

STATUS: Released

Printed: Sep 26, 2008

cage code 2856

Tous droits strictement reserves. Reproduction ou communication a des tiers interdite sous quelque forme que ce soit sans autorisation ecrite du proprietaire. Propriete de c.FCI. Droits de reproduction FCI.

All rights strictly reserved. Reproduction or issue to third parties in any form whatever is not permitted without written authority from the proprietor. Property of FCI. Copyright FCI.



1 | 2

3

4

PRODUCT NUMBER

51940-053--  
NOTE: 3

NOTES:

1. DIMENSIONS AND TOLERANCES ARE IN ACCORDANCE WITH ASME Y14.5M, 1994 UNLESS OTHERWISE SPECIFIED.

CONNECTOR NOTES:

2 HOUSING MATERIAL: UL 94 V-0 GLASS FILLED HIGH-TEMP THERMOPLASTIC  
POWER CONTACT MATERIAL: COPPER ALLOY  
SIGNAL PIN MATERIAL: COPPER ALLOY

3 PLATING:  
SEE ITEM 5 & 6 IN PRINT 10064183 FOR PLATING SPEC OF 51940-053; 51940-053LF RESPECTIVELY.

4 MANUFACTURER'S NAME, P/N, AND DATE CODE TO APPEAR ON THIS SURFACE.

5. PRODUCT SPECIFICATION GS-12-149.  
APPLICATION SPECIFICATION BUS-20-067.

6. PACKAGED IN TRAYS.

PCB NOTES:

7. ALL HOLE DIAMETERS ARE FINISHED HOLE SIZE.

8 MOUNTING HOLES, WHERE APPLICABLE, ARE UNPLATED.


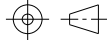

9  $\varnothing 1.151 \pm 0.025$  DRILLED HOLES PLATED WITH 0.008 MIN SnPb OR Sn OVER 0.03 TO 0.08 Cu PLATING TO ACHIEVE  $\varnothing 1.02 \pm .07$  HOLE.

10 "DIM XXX" TO BE DETERMINED BY THE CUSTOMER.

11 CONNECTOR KEEP-OUT ZONE.

12. A  $\Delta$  SYMBOL WILL BE NEXT TO ANY DIMENSION, VIEW, OR NOTE WHICH HAS BEEN MODIFIED WITH THE CURRENT DRAWING REVISION.

13. THE VOID CORING IN BETWEEN POWER MODULES, SIGNAL MODULES AND END MODULES ARE OPTIONAL AND THE SHAPE MAY BE DIFFERENT FOR OPTIMIZING THE MOLDING PROCESS. THE VOID CORING WILL NOT EFFECT TO PRODUCT FUNCTION.

mat'l code				SEE NOTE		tolerances unless otherwise specified		CUSTOMER		 www.fciconnect.com	
lir	ecn no.	dr	date	linear	0.X $\pm 0.5$		COPY		title 3ACP + 24S + 2P VERTICAL SOLDER RECEPT  product family PwrBlade code 213 size dwg no 51940-053 sheet 4		
C					0.XX $\pm 0.25$		projection				
					0.XXX $\pm 0.10$						
				angles	0° $\pm 2°$						
				dr	T. BRUNGARD	08/06/03	scale				
				enrg	M. MOSTOLLER	08/06/03	1:1				
				chr	M. MOSTOLLER	08/06/03					
				appd	M. MOSTOLLER	08/06/03					
sheet index	revision sheet										

1 | 2

Pro/E

PDM: Rev:C

STATUS: Released

Printed: Sep 26, 2008

cage code 28506

4